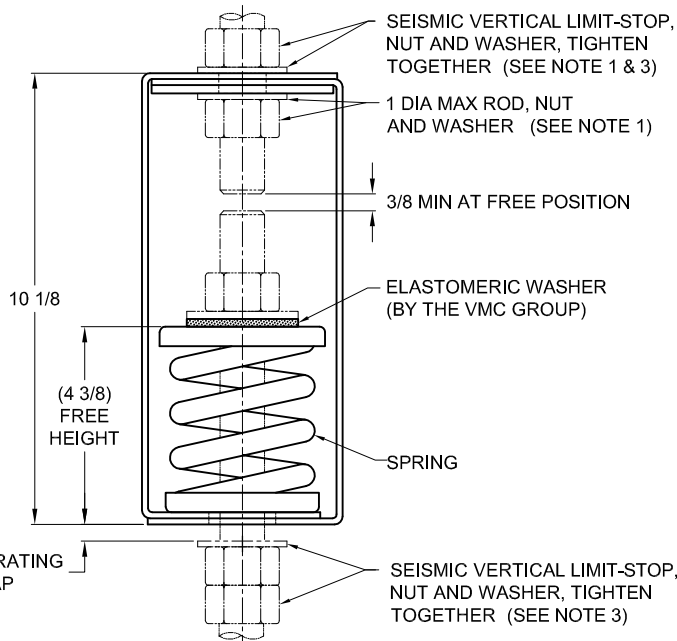
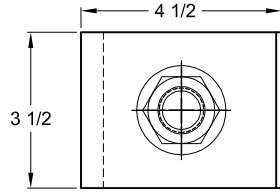


| REV. | DESCRIPTION | DATE | BY |
|------|-------------|------|----|
|      |             |      |    |



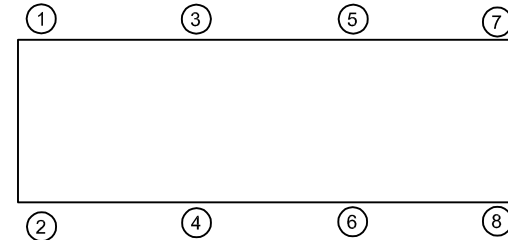
**NOTES:**

- HANGER RODS, NUTS AND WASHERS, AS SHOWN, NOT BY THE VMC GROUP. INSTALL WASHER .134 THK. MIN. X 2 O.D. MIN WITH REQUIRED INSIDE DIAMETER TO ACCOMMODATE ROD SIZE IN USE. THIS CAN BE ACCOMPLISHED BY USING A SINGLE WASHER OR BY STACKING NOT MORE THAN TWO WASHERS.
- STANDARD FINISH: HANGER BOX - PAINTED, POWDER COATED OR GALVANIZED STEEL, SPRING - POWDER COAT.
- SEISMIC VERTICAL LIMIT-STOP REQUIRED FOR SEISMIC APPLICATIONS.
- ALL DIMENSIONS IN INCHES. INTERPRET PER ANSI Y14.
- ALL DIMENSIONS ARE FOR REFERENCE, DIMENSIONS SHOWN AS NOMINAL.
- ALL SPRINGS ARE DESIGNED WITH MINIMUM 50% OVER-TRAVEL.
- HANGER BOXES ARE AVAILABLE PRE-COMPRESSED UP TO THEIR DESIGNATED MAX. LOAD. PERCENTAGE OF PRE-COMPRESSION TO BE DETERMINED BY ENGINEERED APPLICATION OR AS REQUESTED BY CUSTOMER. CONSULT FACTORY FOR POSSIBLE ADDITIONAL PARAMETERS AND OR LIMITATIONS.
- DOUBLE LOWER NUT PROVIDED.
- ROD EXTENSION BELOW LOWER NUT EXTENDS (1.5XROD DIA.) AS SHIPPED.
- PRE-COMPRESSED 50% OF SPRING RATED DEFLECTION.
- RATED DEFLECTIONS ARE WITHIN 25% OF NOMINAL. HIGHER DEFLECTIONS ARE ALLOWED IF THEY MEET SPECIFICATIONS.

| TYPE HS-1E PRE-COMPRESSED SPRING HANGERS<br>FOR 1" NOMINAL DEFLECTION |                  |                 |                     |                   |
|---|------------------|-----------------|---------------------|-------------------|
| HANGER  | RATED LOAD (LBS) | DEFLECTION (IN) | SPRING RATE (LB/IN) | SPRING COLOR CODE |
| HS-1E-195PR   | 195              | 1.95            | 100                 | DK BLUE           |
| HS-1E-400PR   | 400              | 1.32            | 303                 | BLACK             |
| HS-1E-530N <sup>1</sup> PR  | 530              | 1.17            | 453                 | BLACK/ DK BLUE    |
| HS-1E-650PR   | 650              | 1.05            | 619                 | RED               |
| HS-1E-825N <sup>1</sup> PR  | 825              | 1.07            | 771                 | RED/ DK BLUE      |
| HS-1E-1000PR  | 1000             | 1.00            | 1000                | TAN               |
| HS-1E-1200N <sup>1</sup> PR   | 1200             | 1.04            | 1154                | TAN/ DK BLUE      |
| HS-1E-1400PR  | 1400             | 1.00            | 1400                | PINK              |
| HS-1E-1700N <sup>1</sup> PR   | 1700             | 1.10            | 1545                | PINK/ DK BLUE     |
| HS-1E-2000PR  | 2000             | 1.11            | 1802                | WHITE             |
| HS-1E-2575N <sup>1</sup> PR   | 2575             | 1.11            | 2320                | WHITE/DK PURPLE   |
| HS-1E-2990N <sup>1</sup> PR   | 2990             | 1.11            | 2694                | WHITE/DK GREEN    |
| HS-1E-3250N <sup>1</sup> PR   | 3250             | 1.04            | 3125                | WHITE/GRAY        |

**NOTES:**

- TWO NESTED SPRINGS YIELD THIS LOAD. THE COLOR CODE IS FOR OUTER SPRING/ INNER SPRING.



**ISOLATOR SELECTIONS**

|                      |        |
|----------------------|--------|
| LOC 1:               | LOC 2: |
| LOC 3:               | LOC 4: |
| LOC 5:               | LOC 6: |
| LOC 7:               | LOC 8: |
| CUSTOMER EQP'T. TAG: |        |

NOTE: MATERIAL SHOWN IS FOR (1) SET.

OTHER MATERIALS, COMPOUNDS, OR FINISHES WITH EQUAL OR SUPERIOR PROPERTIES MAY BE SUBSTITUTED AS THEY BECOME AVAILABLE.

**CERTIFIED FOR:**

JOB NAME: \_\_\_\_\_  
 CUSTOMER : \_\_\_\_\_  
 CUSTOMER P.O.: \_\_\_\_\_  
 SALES ORDER: \_\_\_\_\_

**MODEL HS-1E 195-3250 LBS.  
 PRE-COMPRESSED SPRING HANGERS  
 1 INCH DEFLECTION**



**THE VMC GROUP**  
*The Power of Together*  
 Bloomingdale, NJ 07403  
 Houston, TX 77041

SCALE :  
 NONE  
 SHEET: \_\_\_\_\_



DRAWING NO.: \_\_\_\_\_ REVISION \_\_\_\_\_